

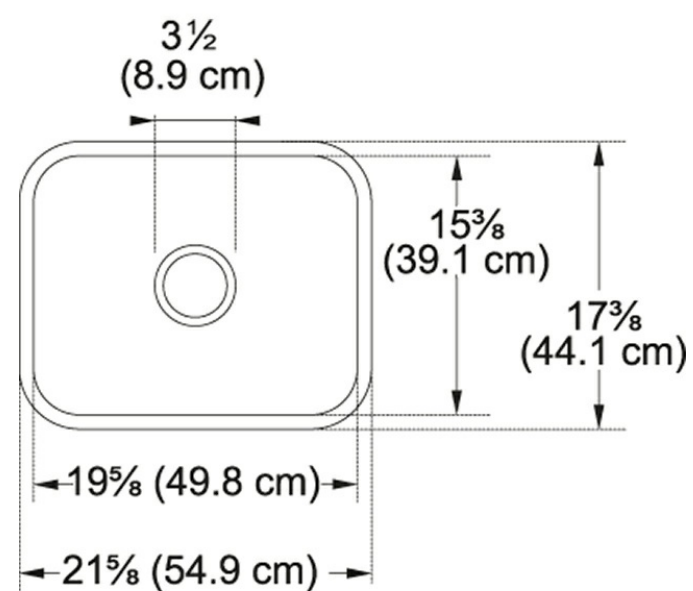
Cisterna CCK110-19 Fireclay White

Cisterna fireclay sinks are created with old world craftsmanship and thoroughly modern materials and technology.

Product Picture



Technical Drawing



Product Dimensions

| | |
|----------------------|---------|
| Length overall | 21 5/8" |
| Width overall | 17 3/8" |
| Length of large bowl | 19 5/8" |
| Width of large bowl | 15 3/8" |
| Depth of large bowl | 6 7/8" |
| Minimum Cabinet Size | 27" |

General Information

| | |
|--------------------|----------|
| Type of Material | Fireclay |
| Number of Bowls | 1 |
| Installation Clips | Yes |
| Cut-Out Template | No |
| Where to buy | Showroom |

Article Numbers

| | |
|----------------|--------------|
| FUN# | 126.0066.147 |
| US Part Number | CCK110-19WH |

